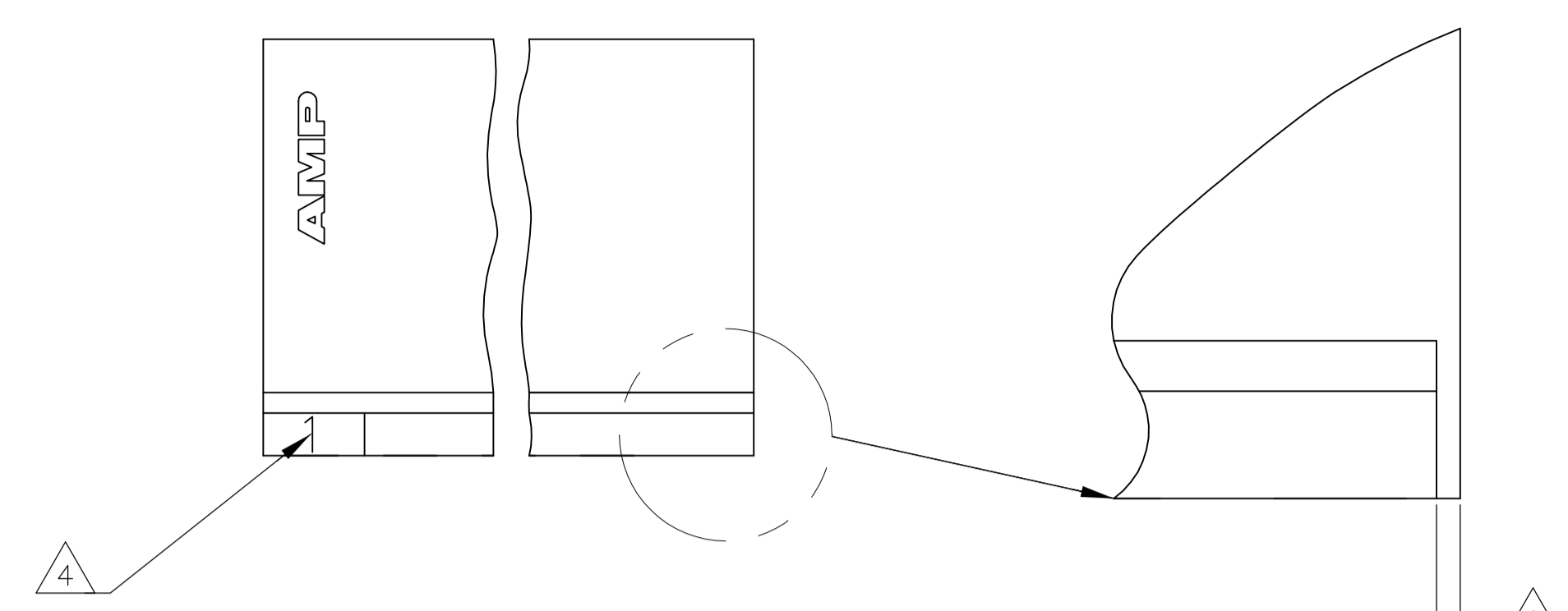
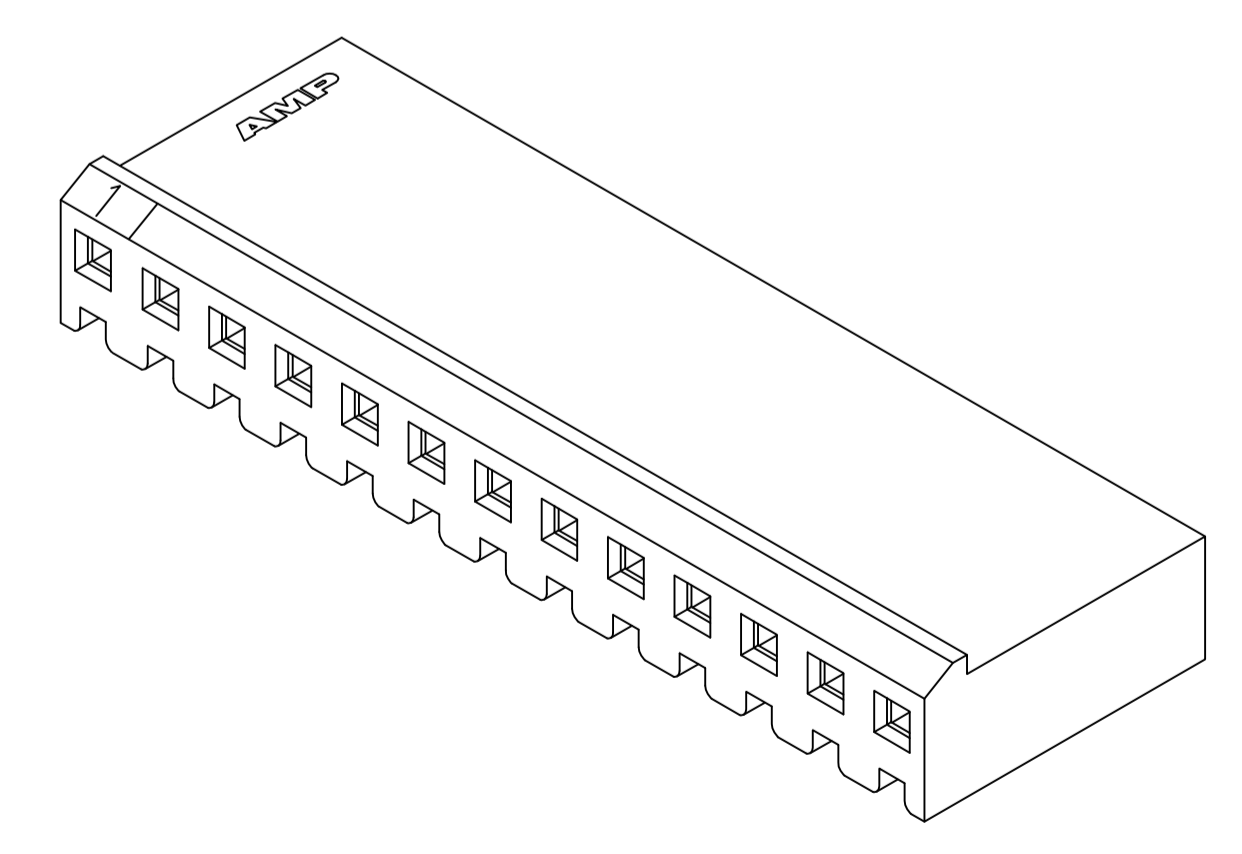
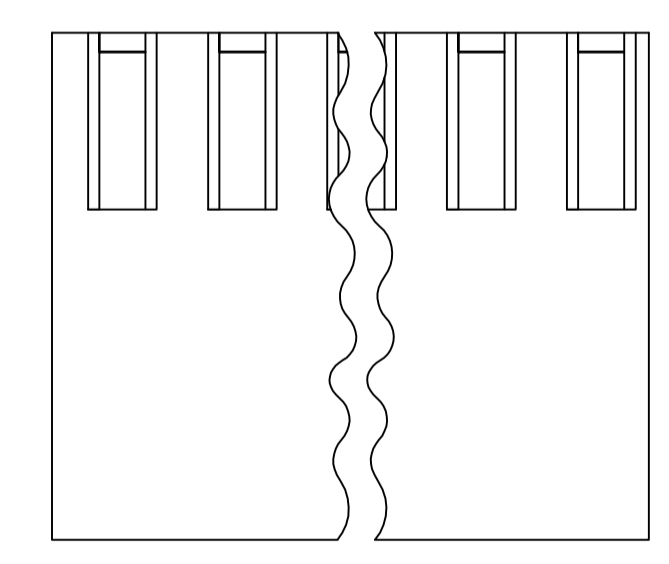
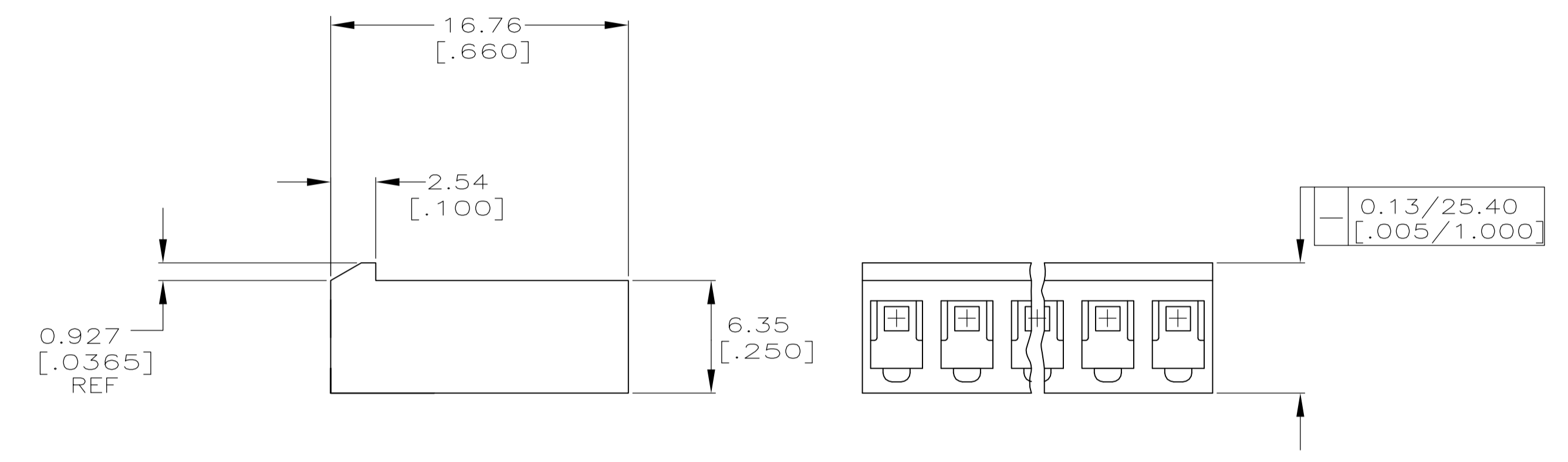
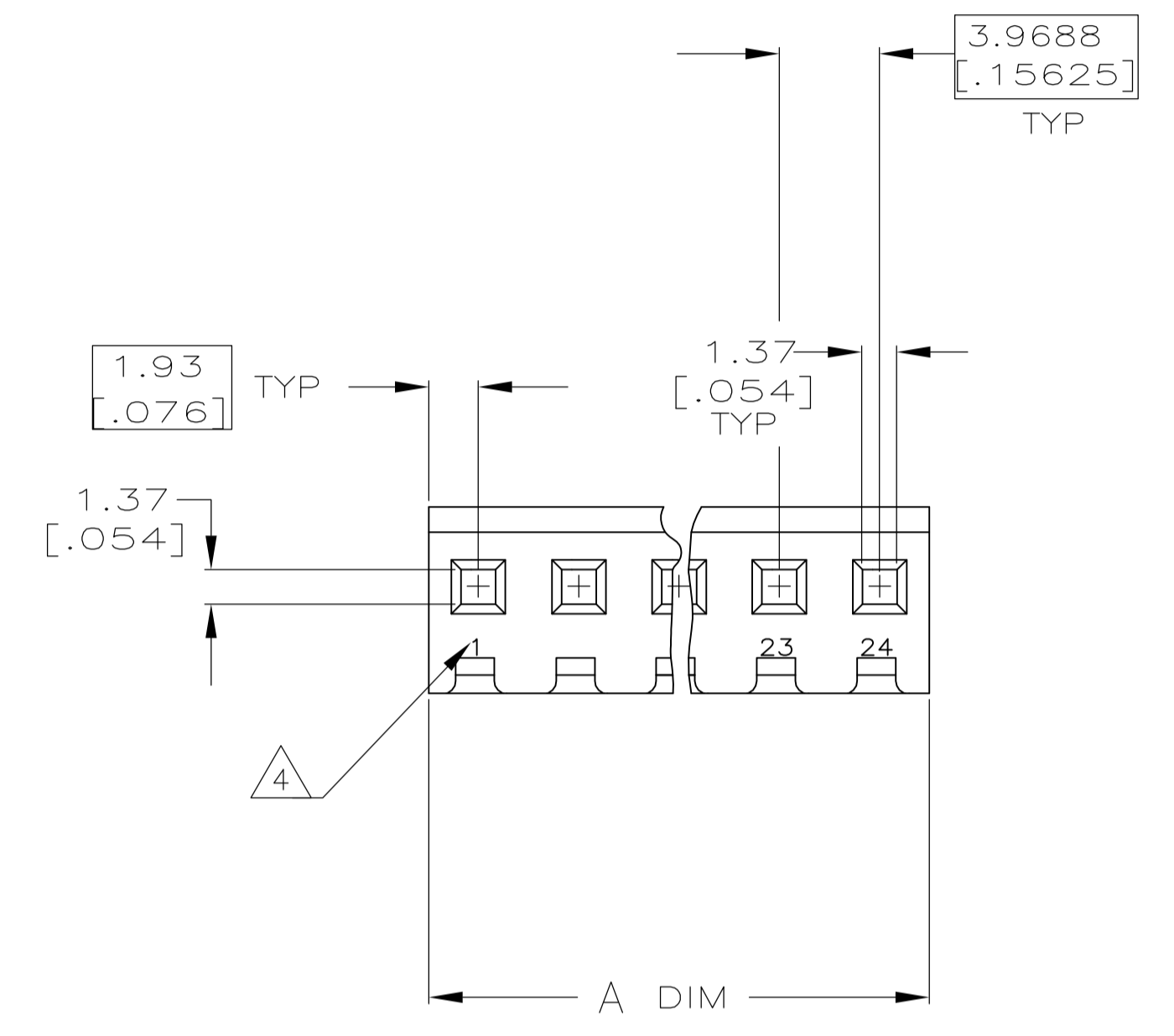


| LOC | DIST | REVISIONS | | | |
|-----|------|---------------------------|---------|-----|------|
| P | LTR | DESCRIPTION | DATE | DWN | APVD |
| V | | REVISED PER ECO-12-007807 | 06AUG12 | KH | SM |



SCALE 10:1



3-DIMENSIONAL MODEL NTS

- 1 UNIT ACCEPTS 1.14 [.045] SQUARE OR ROUND POST.
- 2 UNIT ACCEPTS STANDARD SL-156 CONTACTS.
- 3 UNIT ACCEPTS KEYING PLUG 640254-1 AND KEYING PIN 640255-1.
- 4 CIRCUIT I.D. NUMBER(S), TO BE LOCATED SEQUENTIALLY AS SHOWN OR ONLY NO.1 CIRCUIT PLACED ON LOCKING RAMP.
- 5 DIMENSIONS IN BRACKETS ARE IN INCHES.
- 6 OPTIONAL CONSTRUCTION (BOTH CORNERS) UP TO 0.38 [.015] FOR P/N -1 THRU -5, UP TO 1.27 [.050] FOR P/N -6 THRU 2--4.

| | | | |
|----------------|---------|-----------------|------------|
| 95.15 | [3.746] | 24 | 2-640250-4 |
| 91.19 | [3.590] | 23 | 2-640250-3 |
| 87.20 | [3.433] | 22 | 2-640250-2 |
| 83.24 | [3.277] | 21 | 2-640250-1 |
| 79.27 | [3.121] | 20 | 2-640250-0 |
| 75.31 | [2.965] | 19 | 1-640250-9 |
| 71.32 | [2.808] | 18 | 1-640250-8 |
| 67.36 | [2.652] | 17 | 1-640250-7 |
| 63.40 | [2.496] | 16 | 1-640250-6 |
| 59.44 | [2.340] | 15 | 1-640250-5 |
| 55.45 | [2.183] | 14 | 1-640250-4 |
| 51.49 | [2.027] | 13 | 1-640250-3 |
| 47.52 | [1.871] | 12 | 1-640250-2 |
| 43.56 | [1.715] | 11 | 1-640250-1 |
| 39.57 | [1.558] | 10 | 1-640250-0 |
| 35.61 | [1.402] | 9 | 640250-9 |
| 31.65 | [1.246] | 8 | 640250-8 |
| 27.69 | [1.090] | 7 | 640250-7 |
| 23.70 | [.933] | 6 | 640250-6 |
| 19.74 | [.777] | 5 | 640250-5 |
| 15.77 | [.621] | 4 | 640250-4 |
| 11.81 | [.465] | 3 | 640250-3 |
| 7.82 | [.308] | 2 | 640250-2 |
| 3.86 | [.152] | 1 | 640250-1 |
| A #0.25 [.010] | | NO. OF CIRCUITS | |

THIS DRAWING IS A CONTROLLED DOCUMENT.

| | | | |
|----------------------------------|--|-------------|-----------------------------------|
| DIMENSIONS: mm [INCHES] | TOLERANCES UNLESS OTHERWISE SPECIFIED: | DIN 7-27-92 | STE TE Connectivity |
| 0 PLC ± - | 1 PLC ± - | 7-27-92 | NAME |
| 2 PLC ± - | 3 PLC ± 0.13 [.005] | 7-27-92 | HOUSING WITH LOCKING RAMP, SL-156 |
| 4 PLC ± - | ANGLES ± 0° 30' | 9-28-92 | SIZE |
| MATERIAL NYLON, UL 94V-0 NATURAL | FINISH - | APPROVED | WEIGHT |
| | | APPROVED | SCALE 4:1 |
| | | APPROVED | SHEET 1 OF 1 |
| | | APPROVED | REV V |

CUSTOMER DRAWING